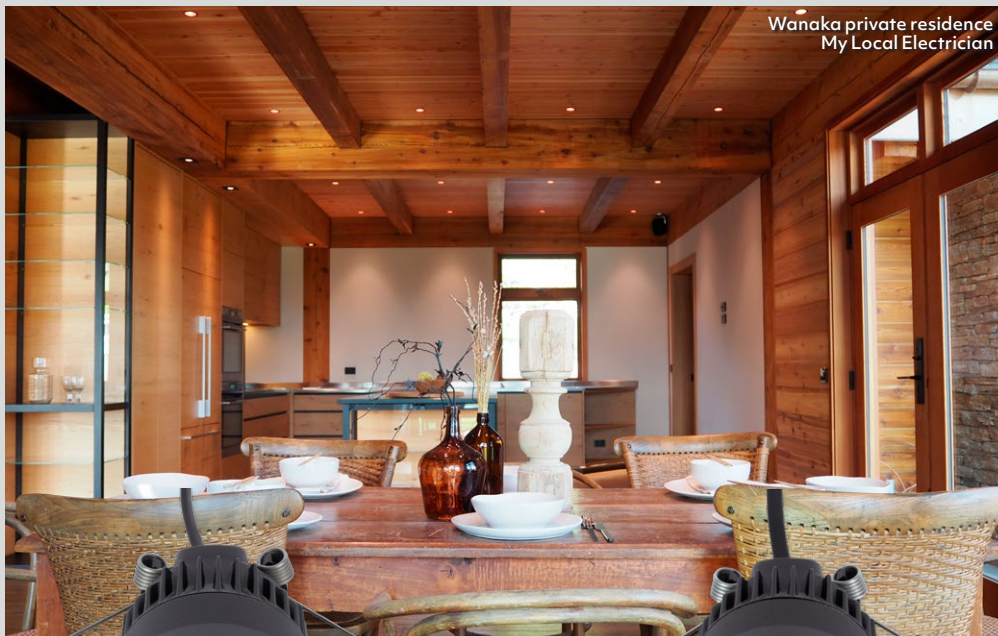


ZELA Fixed 1 décor



SLDL284F
Beam 9°, 15°, 20°



SLDL280F
Beam 30°, 40°



Black inner
Textured Black
BB



Gold inner
Textured Black
AB



Bronze inner
Textured Black
DB



Copper inner
Textured Black
CB



White inner
Textured Black
WB



Black inner
Textured White
BW



Gold inner
Textured White
AW



Bronze inner
Textured White
DW



Copper inner
Textured White
CW

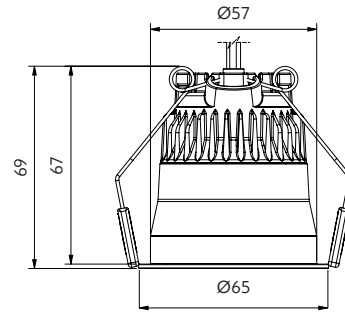


White inner
Textured White
WW



ZELA décor Fixed 1

- + create artistic ambiance & visual intrigue
- + feature lighting
- + deep recessed for low glare
- + attractive colour options for inner
- + IP65 front
- + constant current



Options

Beam angle



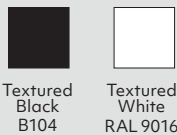
CCT



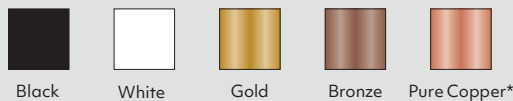
¹ Sunset Dimming is available in 30°, 40° and 55° in Professional series.

² Tunable White is available in Asymmetric and 20°, 30°, 40°, 55° in Art series.

Trim colour



Inner colour



*Our copper variant is true copper and may contain small natural flaws. Over time, it will develop verdigris, darkening in colour to a variety of rich tones. This process will be slower in areas where the fitting is not exposed to moisture.

CRI

Professional series (P) CRI 90-94 Art series (A) CRI 95-98

Driver included – to be specified

Phase cut Dimming
DALI 2 Tunable White
DALI 2 Dimming
SLiC Casambi Tunable White
SLiC Casambi Dimming



9-36VDC input options available
Scan the QR code for low voltage driver options

Product information

Table is based on: White, prismatic, 40°, 3000K, CRI 90, phase cut driver
Contact Switch Lighting for data of other variants

Driver (mA)	Power (W)	Delivered lumens (lm)	Insulation coverable		
			NZ	AU	UK/EU
100	4.3	310	IC-F	IC-4	✓
150	6.4	440	IC-F	IC-4	✓
180	7.7	510	IC-F	IC-4	✓
220	9.4	600	CA135	CA90	✓
260	11.1	680	Do not cover		



* Specification is for ceiling material ≤ 13mm with a phase cut driver. Required clearance to install driver through Ø57 cut-out.

How to specify ZELA décor Fixed 1

Please confirm model option availability from our website. **Not every combination is compatible.**

e.g. code = **SLDL280F-4030P-DWD15**

Model	Beam	CCT	CRI	Colour - Inner / Trim	Driver	Market	
SLDL284F = Lens	09 = 9° 15 = 15° 20 = 20°	24 = 2400K 27 = 2700K 30 = 3000K 40 = 4000K	P = 90-94 A = 95-98	AW = Gold / White BW = Black / White CW = Copper / White DW = Bronze / White WW = White / White AB = Gold / Black BB = Black / Black DB = Bronze / Black CB = Copper / Black WB = White / Black	Phase cut Dimming D08 = 100mA (4.3W) D09 = 150mA (6.4W) D15 = 180mA (7.7W) D10 = 220mA (9.4W) D11 = 260mA (11.1W) DALI 2 Tunable White D42 = 180mA (8.3W) D43 = 230mA (10.1W) D44 = 260mA (11.9W)	DALI 2 Dimming D02 = 150mA (8.3W) D03 = 200mA (10.1W) D04 = 250mA (11.9W) SLiC Casambi Tunable White D52 = 180mA (8.2W) SLiC Casambi Dimming D57 = 180mA (7.7W) Check online for other driver options.	
SLDL280F = Clear glass	30 = 30° 40 = 40°	SD = Sunset Dimming S2 = Tunable White					

Please see www.switch-lighting.co.nz for full specifications, lux levels, SDoCs, ies files and installation instructions.



Warranty
7yr Luminaire
5yr Driver

L70 (60,000 h)

