

ZELA Art Spot



SLAS214T
Lens
Beam 9° 15° 20°



SLAS216T
Honeycomb
Beam 30° 40°



SLAS212T
ULG Clear
Beam 40° 55°



SLAS211T
Prismatic
Beam 40° 55°



SLAS213T
Opaque
Beam 90°

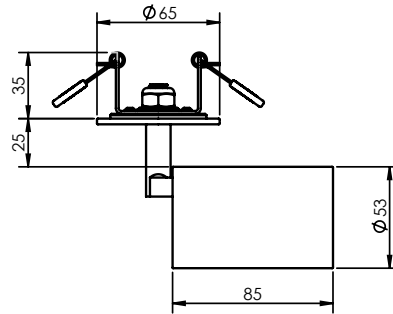


SLAS217T
Asymmetric
Beam 20°x 55°



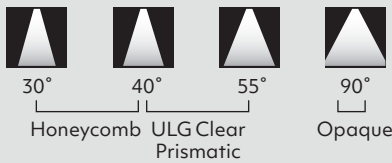
ZELA Art Spot

- + low glare semi-recessed spot light with a stylish and modern design
- + general all purpose luminaire
- + art spot light, perfect for galleries, hallways
- + suitable for indoor use
- + 350° pan rotation | 95° tilt rotation
- + constant current

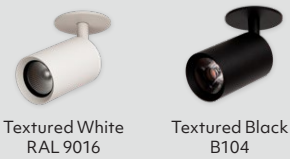


Options

Beam angle



Trim colour



CCT



¹ Sunset Dimming is available in 30°, 40° and 55° in Professional series.

² Tunable White is available in Asymmetric and 20°, 30°, 40°, 55° in Art series.

CRI

Professional series (P) CRI 90-94 Art series (A) CRI 95-98

Driver included – to be specified

- Phase cut Dimming
- DALI 2 Tunable White
- DALI 2 Dimming
- SLiC Casambi Tunable White
- SLiC Casambi Dimming



9-36VDC input options available
Scan the QR code for low voltage driver options

Product information

Table is based on: White, prismatic, 40°, 3000K, CRI 90, phase cut driver
Contact Switch Lighting for data of other variants

Driver (mA)	Power (W)	Delivered lumens (lm)	Insulation coverable		
			NZ	AU	UK/EU
260	11.1	880	IC-F	IC-4	✓



* Specification is for ceiling material ≤ 13mm with a phase cut driver.
Required clearance to install driver through Ø52 cut-out.

How to specify ZELA Art Spot

Please confirm model option availability from our website. **Not every combination is compatible.**

e.g. code = **SLAS211T-4030P-TWD11**

Model	Beam	CCT	CRI	Trim Colour	Driver	Market	
SLAS214T = Lens	09 = 9° 15 = 15° 20 = 20°	24 = 2400K 27 = 2700K 30 = 3000K 40 = 4000K	P = 90-94 A = 95-98	TW = Textured White TB = Textured Black	Phase cut Dimming D15 = 180mA (7.7W) ³ D11 = 260mA (11.1W) DALI 2 Tunable White D44 = 260mA (11.9W) DALI 2 Dimming D02 = 150mA (8.3W) ³ D04 = 250mA (11.9W)	SLiC Casambi Tunable White D59 = 260mA (11.1W) SLiC Casambi Dimming D57 = 180mA (7.7W) ³ D54 = 260mA (11.1W) Check online for other driver options.	NZ 1 = Aust 2 = UK 3 = EU
SLAS216T = Honeycomb	30 = 30° 40 = 40°	SD = Sunset Dimming S2 = Tunable White					
SLAS212T = ULG Clear SLAS211T = Prismatic	40 = 40° 55 = 55°						
SLAS217T = Asymmetric	W3 = 20° x 55°						
SLAS213T = Opaque	90 = 90°						

³Power option available for 9° only

Please see www.switch-lighting.co.nz for full specifications, lux levels, SDoCs, ies files and installation instructions.



Warranty
7yr Luminaire
5yr Driver

L70 (60,000 h)

