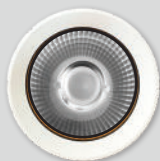


# ZELA Art Spot



**SLAS214T**  
Lens  
Beam 9° 15° 20°



**SLAS216T**  
Honeycomb  
Beam 30° 40°



**SLAS212T**  
ULG Clear  
Beam 40° 55°



**SLAS211T**  
Prismatic  
Beam 40° 55°

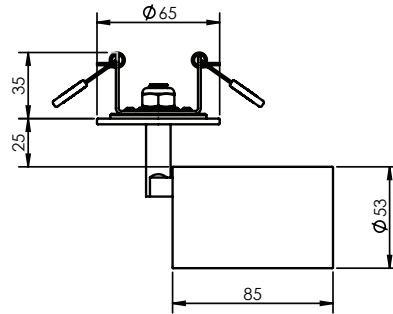


**SLAS213T**  
Opaque  
Beam 90°



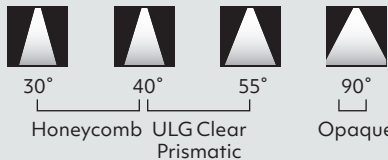
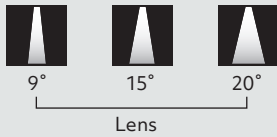
# ZELA Art Spot

- + low glare semi-recessed spot light with a stylish and modern design
- + general all purpose luminaire
- + Art spot light, perfect for galleries, hallways
- + suitable for indoor use
- + 350° pan rotation | 95° tilt rotation
- + constant current



## Options

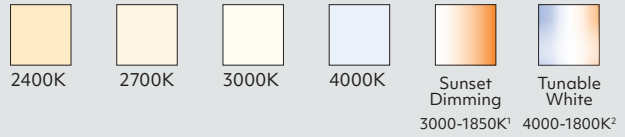
### Beam angle



### Trim colour



### CCT



<sup>1</sup>Sunset Dimming is available in 30°, 40° and 55° in Professional series.  
<sup>2</sup>Tunable White is available in 20°, 30°, 40°, and 55° in Art series.

### CRI

Professional series (P) CRI 90-94 Art series (A) CRI 95-98

### Driver included – to be specified

- Phase cut Dimming
- DALI 2 Tunable White
- DALI 2 Dimming
- SLiC Casambi Tunable White
- SLiC Casambi Dimming



9-36VDC input options available  
 Click the QR code for low voltage driver options

## Product information

**Example:** White, prismatic, 40°, 3000K, CRI 90, phase cut driver  
 Contact Switch Lighting for data of other variants

Driver (mA)	Power (W)	Delivered lumens (lm)	Insulation coverable		
			NZ	AU	UK/EU
<sup>3</sup> 180	7.7	680	IC-F	IC-4	✓
260	11.1	880	IC-F	IC-4	✓

<sup>3</sup>Power option available for 9° only



\* Specification is for ceiling material ≤ 13mm with a phase cut driver.  
 Required clearance to install driver through Ø52 cut-out.

## how to specify ZELA Art Spot

Please confirm model option availability from our website. **Not every combination is compatible.**

e.g. code = **SLAS211T-4030P-TWD11**

Model	Beam	CCT	CRI	Trim Colour	Driver	Market	
SLAS214T = Lens	09 = 9° 15 = 15° 20 = 20°	24 = 2400K 27 = 2700K 30 = 3000K 40 = 4000K	P = 90-94 A = 95-98	TW = Textured White TB = Textured Black	<b>Phase cut Dimming</b> <sup>3</sup> D15 = 180mA (7.7W) <b>D11</b> = 260mA (11.1W) <b>DALI 2 Tunable White</b> D44 = 260mA (11.9W) <b>DALI 2 Dimming</b> <sup>3</sup> D02 = 180mA (8.3W) D04 = 260mA (11.9W)	<b>SLiC Casambi Tunable White</b> D59 = 260mA (11.1W) <b>SLiC Casambi Dimming</b> <sup>3</sup> D57 = 180mA (7.7W) D54 = 260mA (11.1W) <b>Check online for other driver options.</b>	1 = NZ 2 = UK 3 = EU
SLAS216T = Honeycomb	30 = 30° 40 = 40°	SD = Sunset Dimming S2 = Tunable White					
SLAS212T = ULG Clear SLAS211T = Prismatic	40 = 40° 55 = 55°						
SLAS213T = Opaque	90 = 90°						

Please see [www.switch-lighting.co.nz](http://www.switch-lighting.co.nz) for full specifications, lux levels, SDoCs, ies files and installation instructions.



**Warranty**  
 7yr Luminaire  
 5yr Driver

L70 (60,000 h)

