

Spot-LIGHTZ Spike



SL234



SLGL234
SLGL254



SLSPK-2-EXT
Extender accessory
1-3 can be used with
SLGL234 and
SLGL254 only

+ 1 EXT = 331
+ 2 EXT = 581 (as shown)
+ 3 EXT = 831



Natural Anodised
Aluminium

Spike Mount
SL234
Spike 2 Mount
SLGL234
SLGL254



Black Anodised
Aluminium

Spike Mount
SL234
Spike 2 Mount
SLGL234
SLGL254



Copper

Spike Mount
SL234
Spike 2 Mount
SLGL234
SLGL254



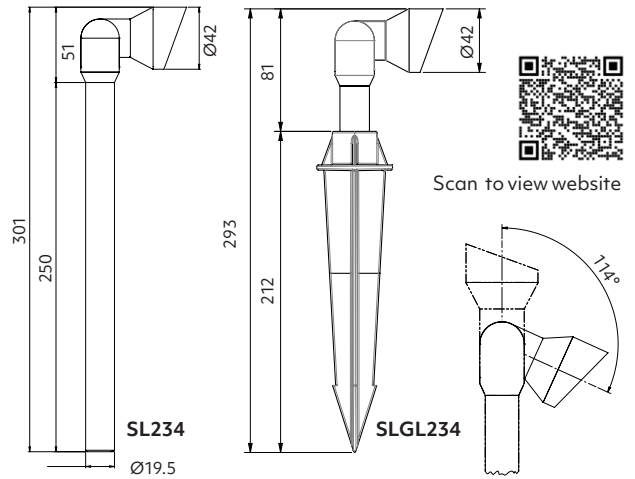
316 Stainless Steel

Spike Mount
SL234
Spike 2 Mount
SLGL234
SLGL254



Spot-LIGHTZ Spike

- + robust enhancement for the outdoors
- + use for gardens / features / walkways / decks
- + adjustable head
- + optional extender for SLGL234 / SLGL254
- + IP67
- + constant voltage (12 or 24 VDC) / constant current (Max 500mA)

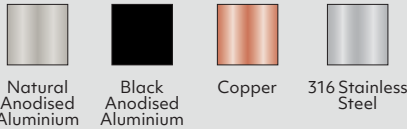


Options

Beam angle



Trim colour



Power supply – constant voltage

Ordered separately.

Q4-12V-20W (IP20)	1-3 lights in parallel
SLDV-12V-40W (IP67)	1-7 lights in parallel
SLDV-12V-75W (IP67)	1-13 lights in parallel
SLDV-24V-75W (IP67)	1-10 lights in parallel
SLDV-24V-150W (IP67)	1-20 lights in parallel

Other drivers available.

Spot-LIGHTZ

require a power supply with 12 or 24VDC output (2700K, 3000K, 4000K, red, amber)

Spot-LIGHTZ

require a power supply with 24VDC output (green, blue)
Please refer online for cable size requirements (voltage drop)

CCT



Constant current

All CCT available in constant voltage.

CRI

CRI 80 (2700K/3000K/4000K)

Use with

Waterproof cable connectors

Extender for SLGL234/SLGL254

250mm

SLSPK-2-Ext-B	Black Anodised Aluminium
SLSPK-2-Ext-N	Natural Anodised Aluminium
SLSPK-2-Ext-C	Copper
SLSPK-2-Ext-SS	316 Stainless Steel

230VAC Power supply – constant current

Ordered separately

Max 500mA

See Tips and Tricks on our website for driver options.

Scan to view driver options

Product information

Table is based on: 3000K

Contact Switch Lighting for data of other variants

Model	Luminaire power (W)	Forward voltage (V _f)	Delivered lumens (lm)
SL234 - constant voltage	5.3	12	415
SLGL234 - constant voltage	5.3	24	415
SLGL254 - constant current	4.5	9	475

SL234 Spike mount



Size
42x72mm
Head unit



Size
19.5x250mm
Spike length



SLGL234/SLGL254

Spike mount 2



Size
42x72mm
Head unit



Spike size
Ø50x212mm



How to specify Spot-LIGHTZ Spike

Please confirm model option availability from our website. **Note: power supply is ordered separately.**

e.g. code = **SL234-40-27-N**

Model	Beam	CCT	Trim Colour	Market
SL234 = Spike mount constant voltage SLGL234 = Spike 2 mount constant voltage SLGL254 = Spike 2 mount constant current	15 = 15° 40 = 40°	27 = 2700K (constant voltage, constant current) 30 = 3000K (constant voltage, constant current) 40 = 4000K (constant voltage) R = Red (constant voltage) A = Amber (constant voltage) G = Green (constant voltage, 24VDC only) B = Blue (constant voltage, 24VDC only)	N = Natural Anodised Aluminium B = Black Anodised Aluminium C = Copper SS = 316 Stainless Steel	NZ = NZ 1 = Aust 2 = UK 3 = EU

Please see www.switch-lighting.co.nz for specifications, lux levels, SDoCs, ies files and installation instructions.



Warranty
5 Years

L70 (36,000 h)

