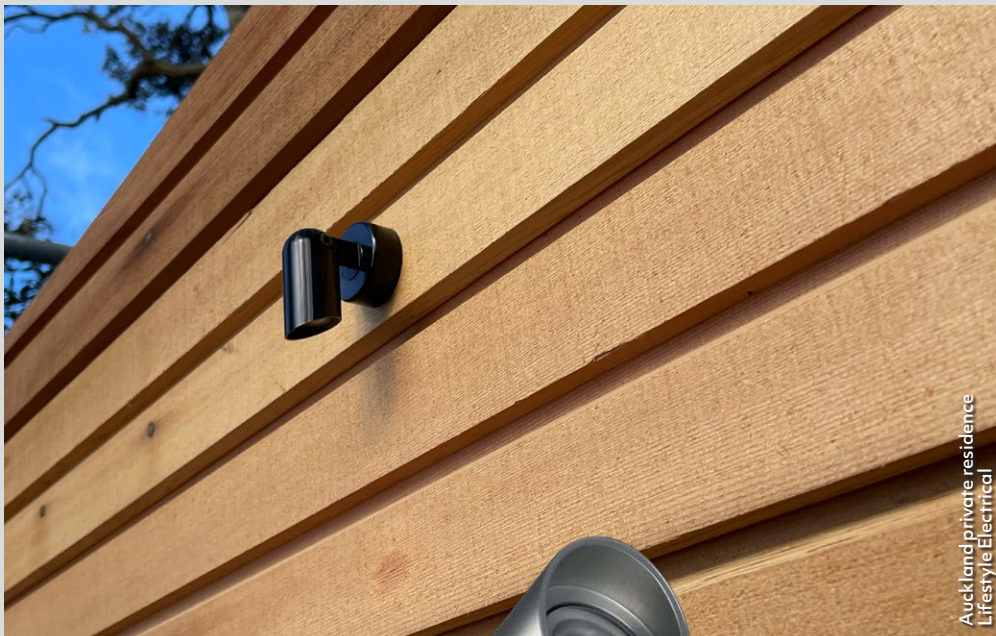


Spot-LIGHTZ Mini



Auckland private residence
Lifestyle Electrical



SLGL242



Natural Anodised
Aluminium



Black Anodised
Aluminium



316 Stainless Steel



Matt Black Anodised
Aluminium

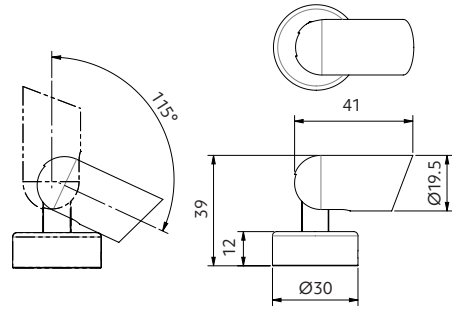


Matt Bronze Anodised
Aluminium



Spot-LIGHTZ Mini

- + precision beam control to accentuate architectural features
- + stainless steel & anodised options for coastal high wear & corrosion resistance
- + use outdoors for landscape lighting / illuminate features / under soffits
- + use indoors to illuminate features / accentuate art
- + constant current (Max 700mA)

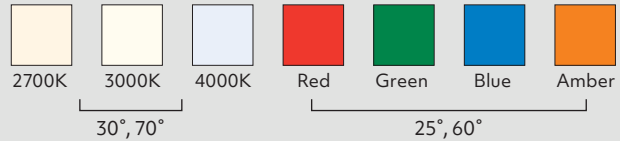


Options

Beam angle



CCT



Trim colour



Use with

LED protector to protect from power and wiring hazards
Waterproof cable connectors

Power supply – constant current

Ordered separately

230VAC circuit (@350mA 1W)

- 1-3 lights non-dimming Mini350mA power supply
- 1-3 lights TE dimmable SE-9-350-700
- 3-11 lights TE dimmable SE-12-100-400 (4-14 R, 3-10 G)
- 3-13 lights TE dimmable SE-15-350-700 (4-17 R, 3-12 G)
- 3-13 lights dimmable SE-40-300-1050* (5-19 R, 3-12 G)

230VAC circuit (@700mA Max 2.2W)

- 1 light non-dimming Mini700mA power supply
- 1-3 lights TE dimmable SE-9-350-700
- 3-6 lights TE dimmable SE-15-350-700 (4-8 R)
- 3-13 lights dimmable SE-40-300-1050* (5-19 R, 3-12 G)

12 or 24VDC circuit (@350mA 1W)

- 1-3 lights LDD-350LW @ 12VDC
- 1-7 lights LDD-350LW @ 24VDC

12 or 24VDC circuit (@700mA Max 2.2W)

- 1-3 lights LDD-700LW power supply @ 12VDC
- 1-6 lights LDD-700LW power supply @ 24VDC

*1-10V, 0-10V, PWM, RX
(variable resistor or rheostat)

Product information

Table is based on: 3000K

Contact Switch Lighting for data of other variants

Driver (mA)	Luminaire power (W)	Delivered lumens (lm)	Forward voltage (V _f)
350	1	115	3
700	2.2	215	3



Size
Ø19.5x41mm

How to specify Spot-LIGHTZ Mini

Please confirm model option availability from our website. **Note: driver is ordered separately.**

e.g. code = **SLGL242-7030C-N** (2700K, 3000K, 4000K); **SLGL242-25-R-N** (Red, Green, Blue, Amber)

Model	Beam	CCT	Series	Trim Colour
SLGL242 - Surface mount	30 = 30° 70 = 70°	27 = 2700K 30 = 3000K 40 = 4000K	C = Classic	N = Natural Anodised Aluminium B = Black Anodised Aluminium SS = 316 Stainless Steel MB = Matt Black Anodised Aluminium MZ = Matt Bronze Anodised Aluminium
Model	Beam	CCT	Trim Colour	
SLGL242 - Surface mount	25 = 25° 60 = 60°	R = Red G = Green B = Blue A = Amber	N = Natural Anodised Aluminium B = Black Anodised Aluminium SS = 316 Stainless Steel MB = Matt Black Anodised Aluminium MZ = Matt Bronze Anodised Aluminium	

Please see www.switch-lighting.co.nz for specifications, lux levels, SDoCs, ies files and installation instructions.



Warranty
5 Years

L70 (60,000 h)

