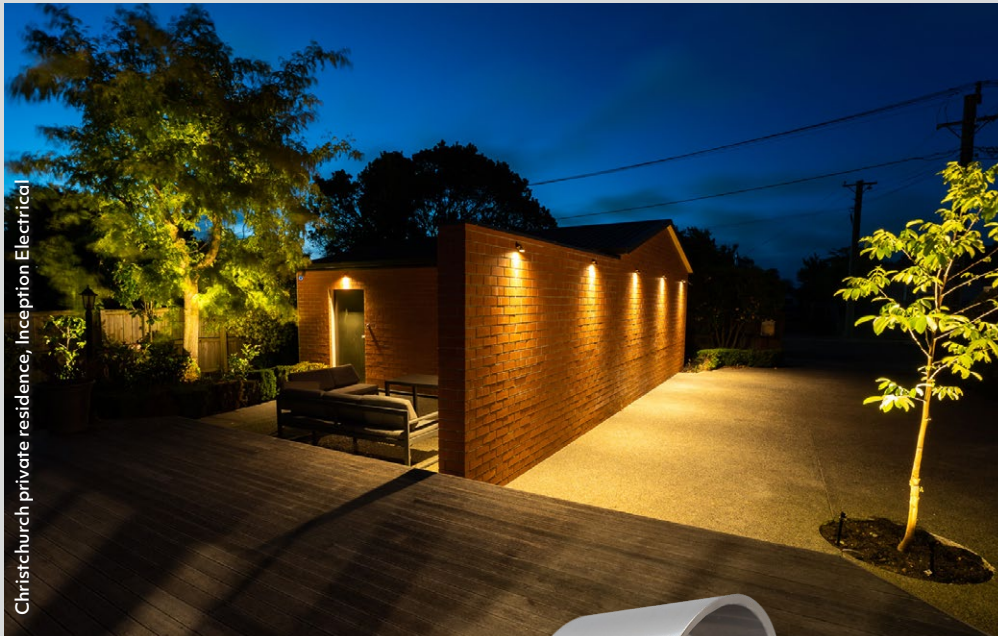


Spot-LIGHTZ



Christchurch private residence, Inception Electrical



SL224 Constant Voltage
SL244 Constant Current



Natural Anodised
Aluminium



Black Anodised
Aluminium



Copper



316 Stainless Steel

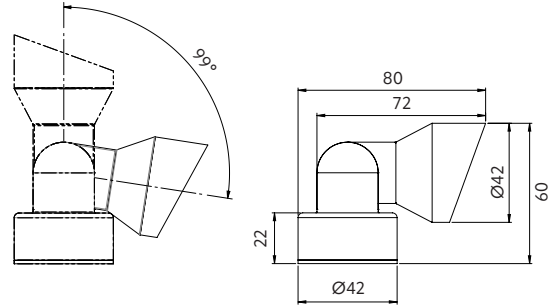


Scan to view website



Spot-LIGHTZ

- + combines durability & functionality for exceptional illumination
- + use for gardens / features / walkways / decks / indoors
- + adjustable head
- + surface mount
- + IP67
- + constant voltage (12 or 24VDC)
- + constant current (Max 500mA)

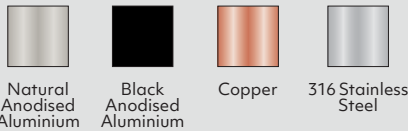


Options

Beam angle



Trim colour



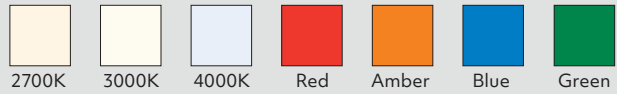
230VAC power supply – constant current

Ordered separately
Max 500mA
See Tips and Tricks on our website for driver options.

Use with

Waterproof cable connectors

CCT



Constant current

All CCT available in constant voltage.

CRI

CRI 80 (2700K/3000K/4000K)

Power supply – constant voltage

Ordered separately.

Q4-12V-20W (IP20)	1-3 lights in parallel
SLDV-12V-40W (IP67)	1-7 lights in parallel
SLDV-12V-75W (IP67)	1-13 lights in parallel
SLDV-24V-75W (IP67)	1-10 lights in parallel
SLDV-24V-150W (IP67)	1-20 lights in parallel

Other drivers available.

Spot-LIGHTZ (2700K, 3000K, 4000K, red, amber) require a power supply with 12 or 24VDC output

Spot-LIGHTZ (green, blue) require a power supply with 24VDC output
Please refer online for cable size requirements (voltage drop)



Scan to view driver options

Product information

Table is based on: 3000K

Contact Switch Lighting for data of other variants

Model	Luminaire power (W)	Forward voltage (V _f)	Delivered lumens (lm)
SL224 - constant voltage	5.3	12	415
SL224 - constant voltage	5.3	24	415
SL244 - constant current	4.5	9	475



Size 42x72mm Head unit



Size 42mm Base



How to specify Spot-LIGHTZ

Please confirm model option availability from our website. **Note: power supply is ordered separately.**

e.g. code = **SL224-40-30-N**

Model	Beam	CCT	Trim Colour	Market
SL224 = constant voltage SL244 = constant current	15 = 15° 40 = 40°	27 = 2700K (constant voltage, constant current) 30 = 3000K (constant voltage, constant current) 40 = 4000K (constant voltage) R = Red (constant voltage) A = Amber (constant voltage) G = Green (constant voltage, 24VDC only) B = Blue (constant voltage, 24VDC only)	N = Natural Anodised Aluminium B = Black Anodised Aluminium C = Copper SS = 316 Stainless Steel	N = NZ 1 = Aust 2 = UK 3 = EU

Please see www.switch-lighting.co.nz for specifications, lux levels, SDoCs, ies files and installation instructions.



Warranty
5 Years

L70 (36,000h)

