

Installation Instructions – PM249

SLiC-610E rotary controller – Casambi enabled

Description:

The SLiC-610E is a Casambi enabled Bluetooth rotary controller, comprising a rotary encoder in a switch plate module and a SLiC-550E Casambi network adaptor. The SLiC-550E is installed behind the switch plate and sends signals to the Casambi lighting system. The Casambi App is used to configure the function of the Rotary Controller when the system is commissioned.

Note: the controller does NOT directly switch any lighting circuit, do not connect it to anything other than the SLiC-550E adapter as shown in the wiring diagram.

Commissioning:

1. Download the app from Apple App Store or Google Play Store and allow notifications and Bluetooth if prompted.
2. Ensure all Casambi enabled devices are powered on and open the Casambi app.
3. Create or select an "Evolution" network.
4. Give your Network a name, location and select if you want to share the network. There are 4 options here; Not Shared, Administrator only, Password protected or **Open**. For simple testing choose **Open**.
5. Click **Done** when you are happy with your settings and your Network will be established, allowing you to now control all the Casambi devices in the mesh network.
6. Check that all the devices appear as "nearby devices" on the app.
7. Select the **SLiC550E-Rotary inc PB** and then from the prompt select **Add to 'your network**.
8. Go to the **More** tab and select **Switches**. Then select the **SLiC550E-Rotary inc PB**.
9. Then scroll down to **ROTARY SWITCH** and change the function from **Not in use** to the desired action, e.g. **Controls all luminaires**.
10. Don't forget to press **Done**. Rotate the knob and the lights should dim up/down. All the lights in the network should cycle on/off each time you press the knob.
11. You can now access the luminaires tab, gallery and scene tabs, which will give you the chance to group luminaires, set scenes for multiple devices, initiate timers, sensors, relays and other devices on the network to personalise your lighting control. Then return to the switches tab to program each switch to control them.

Installation:

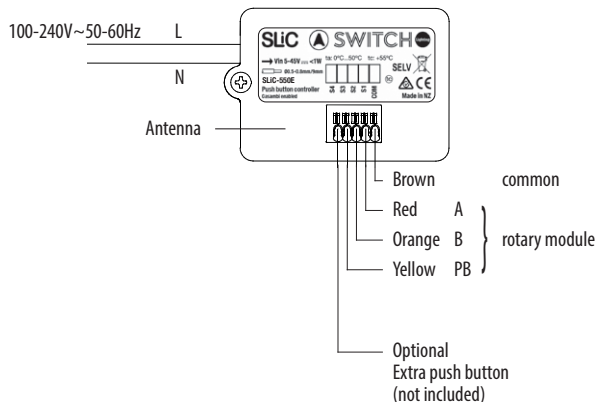
1. Ensure the supply is switched off during the install.
2. This device contains a Bluetooth Antenna – ensure the device is not installed adjacent to metal objects and wiring.
3. To ensure maximum bluetooth range is achieved, it is recommended to push the unit through the back of the flush box so the antenna is in clear space.
4. Insert the rotary-encoder module into your switch plate.
5. Connect the red and black cables to the AC supply (100-240V~).
6. Follow the commissioning instructions below.

Warning: do not connect the rotary encoder or the spare push-button switch to any other circuit.



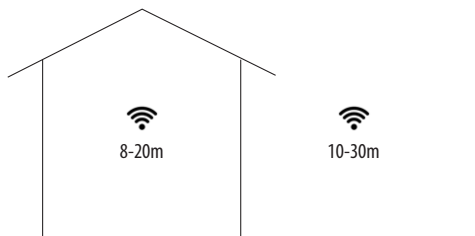
Danger: wiring to the push button must be insulated to the maximum supply voltage.

For further information and detailed instructions on setting Scenes, Groups, Timers, Sensors, Circadian lighting profiles and much more please use the QR link.

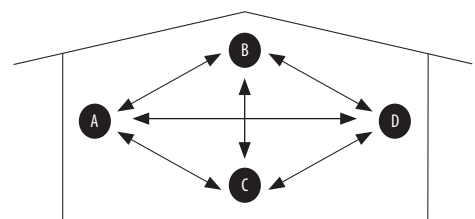


Range:

The Casambi system forms an interconnected radio mesh, so each unit also acts as a repeater, thus larger systems are easily achieved as long as at least one unit is no further than 8m from the next.



Range is highly dependent on surroundings and obstacles



Casambi mesh

Suitable momentary switches:

Must be rated to at least 12VDC

Switch plate type	Push-button p/n	Comment
ICONIC	PDL356PBSS-VW	White p/n
Clipsal	30PBBP-BK	Black p/n
Legrand	EMELVNWE	White p/n
HPM	870MWE	White p/n
Hager	WBMLVT-MB	Matt black

Compatible devices:

Suitable devices to run the Casambi App include iPhone & iPad iOS 10 and later, Android 4.4 and later. Most Apple and Android phones will be compatible.



Specification SLiC-550E:

Parameter	Value
Input voltage	100-240V~
Power usage	<0.2W
Network type	Casambi Classic/Evolution
Rotary	1 only
Push-button	1 optional
Bluetooth radio	2.4-2.48GHz @ <4dBm
Ambient temp	0° to +50°C
IP rating	IP20 (indoor only)

Profiles:

Profile	Name	Description
22812 RTY	SLiC-550E	1 rotary control + 1 optional button