

SLED

by Switch Lighting



SLED314F-M1S5P-WW
Medium angle lighting

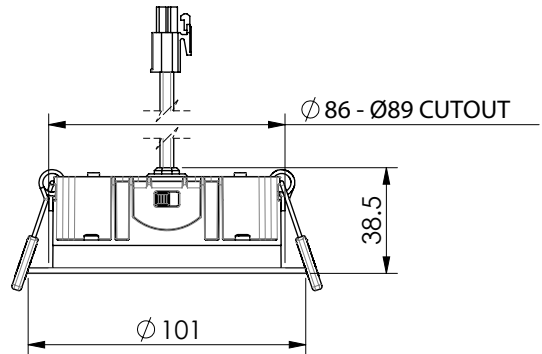


SLED314F-M1S5P-BB
Medium angle lighting

SLED Low Glare Downlight

Lighting excellence for every space

- + CRI 90
- + dimming driver
- + low glare diffusion
- + IP54 front
- + quick connect flicker-free driver
- + selectable CCT 2700K / 3000K*
- + Halogen retrofit
- + up to 120 Lm/w efficacy
- + constant current



Options

Beam angle



90°

Selectable CCT*



2700K



3000K

Diffuser

Opaque

CRI

Professional series (P) CRI 90

Trim colour



Textured White
RAL 9016



Textured Black
B104

Driver

Phase cut dimming included

Product information

CCT (K)	Power (W)	Delivered lumens (lm) White	Delivered lumens (lm) Black	Insulation coverable		
				NZ	AU	UK/EU
2700	8	>870	>600	ICF	IC4	✓
3000	8	>870	>600	ICF	IC4	✓



Size
101x38.5mm



Cut-out
Ø86-89mm



Hole depth
>40mm



Front

How to specify SLED314F

e.g. code = **SLED314F-M1S5P-BB**

Model	Beam	Selectable CCT*	CRI	Trim Colour
SLED314F = Low glare	M1 = 90°	S5 = 2700K 3000K	P = 90	BB = Black WW = White

*Before installation – via the switch on the back of the housing, choose from 2700K, 3000K.

Please see www.switch-lighting.co.nz for specifications, lux levels, SDoCs, ies files and installation instructions.



Warranty
5 Years

L70 (50,000h)

