

Mini-LIGHTZ *Tilt*



Auckland private residence
Standout Electrical



SLDL644T



Natural Anodised
Aluminium



Black Anodised
Aluminium



White
316 Stainless Steel



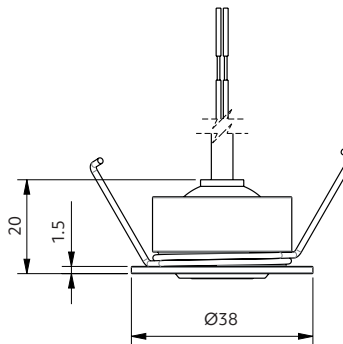
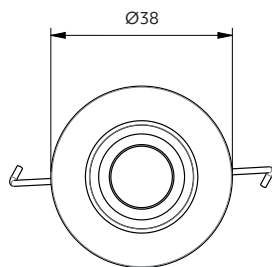
316 Stainless Steel



Scan to view website

Mini-LIGHTZ *Tilt*

- + create captivating directional visual effects
- + tiny form factor 1W/2.2W
- + suitable for indoor and outdoor use
- + 360° gimbal
- + constant current (Max 700mA)

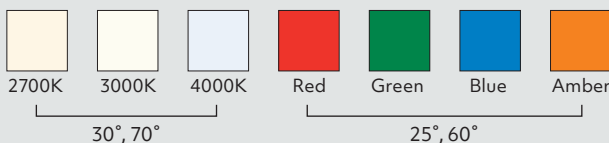


Options

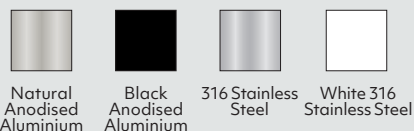
Beam angle



CCT



Trim colour



CRI

CRI 80 (2700K/3000K/4000K)

Use with

LED protector to protect from power and wiring hazards
Waterproof cable connectors

Power supply – constant current

Ordered separately

1W - 350mA

12 or 24VDC circuit – all types:

- 1-3 lights LDD-350LW @ 12VDC
- 1-7 lights LDD-350LW @ 24VDC
- 1-11 lights (max) LDB-300LW @ 12 or 24VDC

230VAC circuit (@350mA) only 2700K, 3000K, 4000K

- 1-4 lights non-dimming Mini 350mA power supply
- 1-3 lights TE dimmable SE-9-350-700
- 3-11 lights TE dimmable SE-12-100-400
- 3-13 lights TE dimmable SE-15-350-700
- 3-13 lights dimmable SE-40-300-1050* (5-19 R, 3-12 G)

2.1W - 700mA

12 or 24VDC circuit – only 2700K, 3000K, 4000K

- 1-3 lights LDD-700LW power supply @ 12VDC
- 1-6 lights LDD-700LW power supply @ 24VDC

230VAC circuit (@700mA) only 2700K, 3000K, 4000K

- 1-3 lights TE dimmable SE-9-350-700
- 3-6 lights TE dimmable SE-15-350-700
- 3-13 lights TE dimmable SE-40-300-1050* (5-19 R, 3-12 G)

See driver options for coloured versions in Tips & Tricks on our website.

*1-10V, 0-10V, PWM, RX (variable resistor or rheostat)

Contact Switch Lighting for Casambi Smart Control options.

Scan to view driver options



Product information

Example: 3000K

Contact Switch Lighting for data of other variants

Driver (mA)	Luminaire power (W)	Delivered lumens (lm)	Forward voltage (V _f)	Insulation coverable		
				NZ	AU	UK/EU
350	1	115	3	IC-F	IC-4	✓
700	2.1	215	3	IC-F	IC-4	✓



Tilt Angle 40°



Size 38x20mm



Cut-out Ø32mm



Hole depth >32mm



how to specify Mini-LIGHTZ Tilt

Please confirm model option availability from our website. **Note: driver is ordered separately.**

e.g. code = **SLDL644T-7027C-N** (2700K, 3000K, 4000K); **SLDL644T-25-R-N** (Red, Green, Blue, Amber)

Model	Beam	CCT	Series	Trim Colour	Market
SLDL644T	30 = 30° 70 = 70°	27 = 2700K 30 = 3000K 40 = 4000K	C = Classic	N = Natural Anodised Aluminium B = Black Anodised Aluminium W = White 316 Stainless Steel SS = 316 Stainless Steel	NZ 1 = Aust 2 = UK 3 = EU
SLDL644T	25 = 25° 60 = 60°	R = Red G = Green B = Blue A = Amber		N = Natural Anodised Aluminium B = Black Anodised Aluminium W = White 316 Stainless Steel SS = 316 Stainless Steel	NZ 1 = Aust 2 = UK 3 = EU

Please see www.switch-lighting.co.nz for specifications, lux levels, SDoCs, ies files and installation instructions.



Warranty 5 Years

L70 (60,000h)

