

M-LIGHTZ



Waiheke private residence
Astrech Electrical



SL900 Constant Current
SL910 Constant Voltage



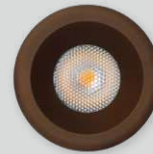
Natural Anodised
Aluminium



Black Anodised
Aluminium



White
Aluminium



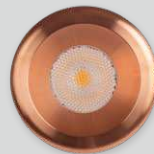
Matt Bronze
Anodised
Aluminium



316 Stainless Steel



Black
316 Stainless Steel



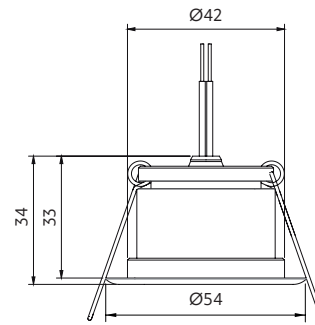
Copper



Matt Black
Anodised
Aluminium

M-LIGHTZ

- + a superb luminaire for creating captivating accent lighting
- + use outdoors under soffits
- + use indoors for feature lighting
- + IP67
- + constant current (350 & 500mA) / constant voltage (12 or 24VDC)



Options

Beam angle



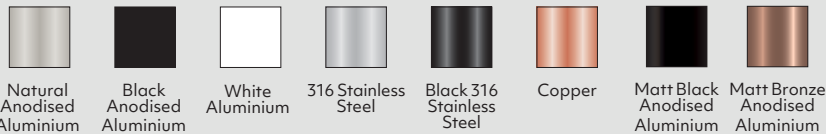
CCT



CRI

Professional series (P) CRI 90

Trim colour



230VAC power supply included

SL900 M-LIGHTZ – constant current

White | Natural | Black - Max 500mA dimmable.

SS | Stainless Black | Copper - Max 350mA non-dimming*.

*Optional dimming driver ordered separately

Contact Switch Lighting for Casambi Smart Control options.

12 or 24VDC power supply

Ordered separately

SL910 M-LIGHTZ – constant voltage

requires a power supply with 12 or 24VDC output.

Q4-12V-20W (IP20) 1-3 lights in parallel

SLDV-12V-40W (IP67) 1-6 lights in parallel

Please refer online for cable size requirements (voltage drop)

Product information

Table is based on: 3000K

Contact Switch Lighting for data of other variants

Model	System power (W)	Luminaire power (W)	Forward voltage (V _f)	Delivered lumens (lm)	Insulation coverable		
					NZ	AU	UK/EU
SL900 white/natural/black	6.25	5	9.5	400	IC-F	IC-4	✓
SL900 SS/SS black/copper	4.4	3.5	9.5	290	IC-F	IC-4	✓
SL910 white/natural/black	N/A	4.2	11-30	320	IC-F	IC-4	✓
SL910 SS/SS black/copper	N/A	3.6	11-30	270	IC-F	IC-4	✓



Size 54x33mm



Cut-out Ø44-46mm



Hole depth >40mm



SL900 Front



SL910 Front & rear

How to specify M-LIGHTZ

Please confirm model option availability from our website. **Note: SL910 power supply is ordered separately.**

e.g. code = **SL900-45-30-P-N**

Model	Beam	CCT	CRI	Trim Colour	Market
SL900	22 = 22°	27 = 2700K	P = 90	N = Natural Anodised Aluminium	NZ
SL910	38 = 38°	30 = 3000K		B = Black Anodised Aluminium	1 = Aust
	45 = 45°	40 = 4000K		W = White Aluminium	2 = UK
				SS = 316 Stainless Steel	3 = EU
				SB = Black 316 Stainless Steel	
				C = Copper	
				MB = Matt Black Anodised Aluminium	
				MZ = Matt Bronze Anodised Aluminium	

Please see www.switch-lighting.co.nz for specifications, lux levels, SDoCs, ies files and installation instructions.



Warranty
5 Years

L70 (50,000h)



PURE COLOUR
HIGH CRI DOWNLIGHTS

