

M-LIGHTZ



SL900 Constant Current
SL910 Constant Voltage



Natural Anodised
Aluminium



Black Anodised
Aluminium



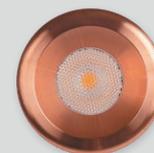
White
Aluminium



316 Stainless Steel



Black
316 Stainless Steel



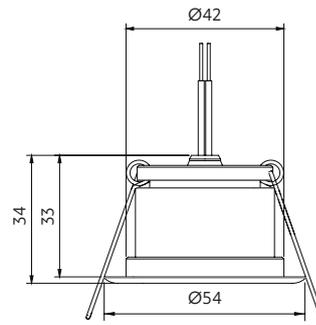
Copper

Scan to view website



M-LIGHTZ

- + a superb luminaire for creating captivating accent lighting
- + use outdoors under soffits
- + use indoors for feature lighting
- + IP67
- + constant current (350 & 500mA) / constant voltage (12 or 24VDC)



Options

Beam angle



22°

38°

45°

CCT



2700K

3000K

4000K

CRI

Professional series (P) CRI 90

Trim colour



Natural Anodised Aluminium

Black Anodised Aluminium

White Aluminium

316 Stainless Steel

Black 316 Stainless Steel

Copper

230VAC power supply included

SL900 M-LIGHTZ – constant current

White | Natural | Black - Max 500mA dimmable.

SS | Stainless Black | Copper - Max 350mA non-dimmable*.

*Optional dimming driver ordered separately

Contact Switch Lighting for Casambi Smart Control options.

12 or 24VDC power supply

Ordered separately

SL910 M-LIGHTZ – constant voltage

requires a power supply with 12 or 24VDC output.

Q4-12V-20W (IP20) 1-3 lights in parallel

SLDV-12V-40W (IP67) 1-6 lights in parallel

Please refer online for cable size requirements

(voltage drop)



Scan to view driver options

Product information

Example: 3000K

Contact Switch Lighting for data of other variants

Model	System power (W)	Luminaire power (W)	Forward voltage (V _f)	Delivered lumens (lm)	Insulation coverable		
					NZ	AU	UK/EU
SL900 white/natural/black	6.25	5	9.5	400	IC-F	IC-4	✓
SL900 SS/SS black/copper	4.4	3.5	9.5	290	IC-F	IC-4	✓
SL910 white/natural/black	N/A	4.2	11-30	320	IC-F	IC-4	✓
SL910 SS/SS black/copper	N/A	3.6	11-30	270	IC-F	IC-4	✓



Size 54x33mm



Cut-out Ø44-46mm



Hole depth >40mm



SL900 Front



SL910 Front & rear

how to specify M-LIGHTZ

Please confirm model option availability from our website. **Note: SL910 power supply is ordered separately.**

e.g. code = **SL900-45-30-P-N**

Model	Beam	CCT	CRI	Trim Colour	Market
SL900	22 = 22° 38 = 38° 45 = 45°	27 = 2700K 30 = 3000K 40 = 4000K	P = 90	N = Natural Anodised Aluminium B = Black Anodised Aluminium W = White Aluminium SS = 316 Stainless Steel SB = Black 316 Stainless Steel C = Copper	1 = NZ 2 = Aust 3 = EU
SL910					

Please see www.switch-lighting.co.nz for specifications, lux levels, SDoCs, ies files and installation instructions.



Warranty
5 Years

L70 (50,000h)

