

M-LIGHTZ Cabinet



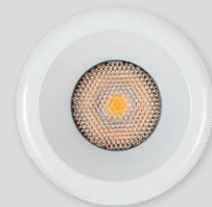
Nelson private residence
Tasman Sparkies



Natural Anodised
Aluminium



Black Anodised
Aluminium



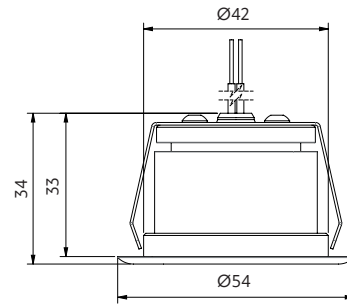
White
Aluminium





M-LIGHTZ Cabinet

- + provides practical illumination in cabinets & display areas
- + use for wardrobes, kitchen cabinets, storage areas
- + use indoors for feature lighting
- + IP67 front
- + constant current (Max 500mA)



Options

Beam angle



45°

CCT



2700K



3000K



4000K

CRI

Professional series (P) CRI 90

Trim colour

Natural
Anodised
AluminiumBlack
Anodised
AluminiumWhite
Aluminium

230VAC power supply – constant current included
500mA dimmable.

Contact Switch Lighting for Casambi Smart Control options.

Product information

Example: 3000K

Contact Switch Lighting for data of other variants

Model	System power (W)	Luminaire power (W)	Forward voltage (V _f)	Delivered lumens (lm)	Insulation coverable		
					NZ	AU	UK/EU
SL901	6.25	5	9.5	400	IC-F	IC-4	✓



Size
54X53mm



Cut-out
Ø44-46mm



Hole depth
>40mm



Front

how to specify M-LIGHTZ Cabinet

Please confirm model option availability from our website.

e.g. code = **SL901-45-30-P-N**

Model	Beam	CCT	CRI	Trim Colour	Market
SL901	45 = 45°	27 = 2700K 30 = 3000K 40 = 4000K	P = 90	N = Natural Anodised Aluminium B = Black Anodised Aluminium W = White Aluminium	1 = NZ 1 = Aust 2 = UK 3 = EU

Please see www.switch-lighting.co.nz for specifications, lux levels, SDoCs, ies files and installation instructions.



Warranty
5 Years

L70 (50,000 h)



PURE COLOUR
HIGH CRI DOWNLIGHTS

