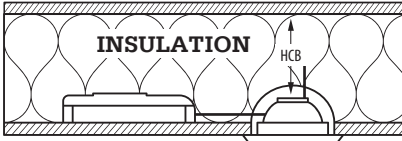


Installation Instructions

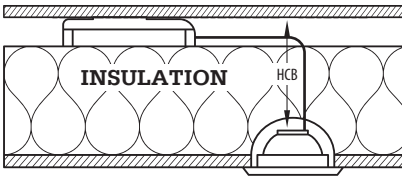
IC-F/IC-4 Selectable Luminaire with coverable driver

Classification: IC-F / IC-4

Recessed luminaire where approved building insulation material that can safely be continuously exposed to 90deg C is allowed to abut and cover the luminaire and the driver.



All models **except SLED515F-W140P-TW, SLED515F-W140P-TB**



SLED515F-W140P-TW, SLED515F-W140P-TB. Driver must not be covered.

Approved Insulation:

Pink Batts, Bradford Gold, InsulPro Polyester insulation, Ecofleece, Autex Greenstuf, Earthwool, Premier insulation.

Contact Switch Lighting for other insulation information.

Caution:

Macerated paper (Insul-fluf) and other loose fill insulation as defined in NZS 4246 is not permitted to abut or cover this luminaire and driver or be used anywhere near this downlight. If necessary remove the macerated paper 300mm away from the luminaire and cover with a 600x600mm square of approved insulation.

Dimmer Compatibility:

All Switch Lighting dimmers, PDL universal and trailing edge, Clipsal universal and trailing edge, HPM trailing edge, Legrand EM400A3P.

Contact Switch Lighting for other dimmers.

Warranty:

Luminaire: 5 years **Driver:** 5 years

Proof of purchase is required. See website for full warranty conditions.

www.switch-lighting.co.nz

Required Clearance: Standard

Required clearance from structural members and building elements:

SCB = 0mm **HCB** = 0mm

CCT Selection:

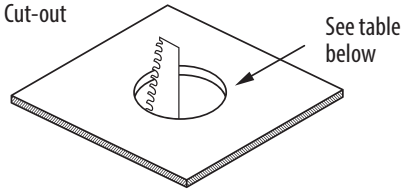
Use the switch on the back of the luminaire to select your CCT.



Note: Sunset dimming and single CCT options have no switch.

Installation:

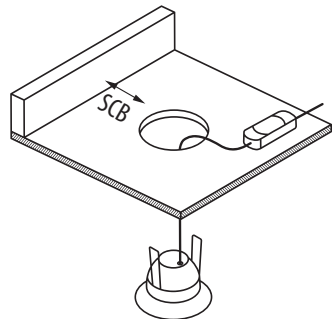
1 Cut-out



2 AC connection (by registered electrician)



3 Connect luminaire and install in ceiling (no insulation shown for clarity)



Installation Cut-out Chart

- 1 Select product 2 Read cut-out size 3 Check cavity depth

Please note: do not exceed the stated cut-out size.

Code	Cut-out	Minimum Cavity Depth
SLED215F	Ø70-73mm	40mm
SLED315F	Ø86-89mm	40mm
SLED315T	Ø86-89mm	45mm
SLED415F	Ø100-120mm	45mm
SLED515F	Ø127-140mm	45mm