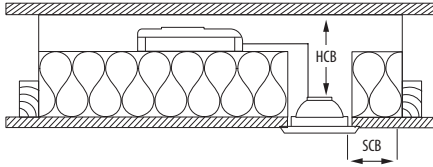


Installation Instructions – PM102

CA80 / CA90 / CA135

Classification: CA80 / CA90 / CA135

Recessed luminaire where approved fixed building insulation material that can safely be continuously exposed to 90deg C is allowed to abut but NOT cover the luminaire.



Approved insulation:

Pink Batts, Bradford Gold, InsulPro Polyester insulation, Ecofleece, Autex Greenstuf, Earthwool, Premier insulation.

Contact Switch Lighting for other insulation information.

Caution:

Macerated paper (Insul-fluf) and other loose fill insulation as defined in NZS 4246 is not permitted to abut or cover this luminaire and driver or be used anywhere near this downlight. If necessary remove the macerated paper 300mm away from the luminaire and cover with a 600x600mm square of approved insulation.

Other insulation:

Building insulation that abuts or covers a recessed luminaire, or is part of a recessed luminaire, or is within 100 mm horizontally of a luminaire shall:

- Maintain its dimensions and structural integrity when exposed to the maximum surface temperature of the class of luminaire, being 150°C in the case of CA-135 luminaires and 90°C in the case of IC-F, IC and CA-80 luminaires;
- When intended to be in contact with IC-F, IC, CA 80 and CA 135 recessed luminaires, withstand a 30s needle flame test carried out in accordance with AS/NZS 60695.11.5 with the flame applied to all surfaces of the sample.

Dimmer compatibility:

All Switch Lighting dimmers, PDL universal and trailing edge, Clipsal universal and trailing edge, HPM trailing edge, Legrand EM400A3P.

Contact Switch Lighting for other dimmers.

Warranty:

Luminaire: 7 years **Driver:** 5 years

Proof of purchase is required. See website for full warranty conditions.

Required clearance: Standard

Required clearance from structural members and building elements:

SCB = 25mm **HCB** = 25mm **SCI** = 0mm

Required clearance: Fire Rated

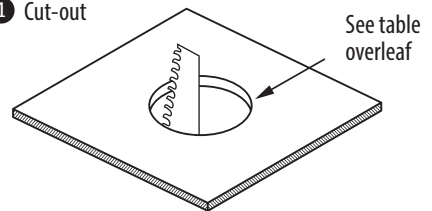
Required clearance from structural members and building elements:

SCB = 100mm **HCB** = 100mm

See separate information sheet for compliant Fire Rated installations.

Installation:

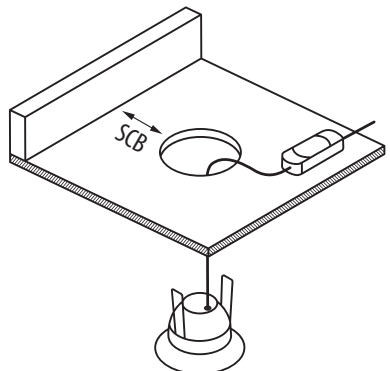
1 Cut-out



2 AC connection (by registered electrician)



3 Connect luminaire and install in ceiling (no insulation shown for clarity)



Installation Instructions Cut-out Chart

- ① Select product ② Read cut-out size ③ Check cavity depth

Code	D-LIGHTZ Product	Cut-out	Minimum Cavity Depth
SL11#LG	D-LIGHTZ Fixed	83-92mm	58mm
SL11#T	D-LIGHTZ Tilt	83-92mm	58mm
SLDL12#T	D-LIGHTZ Deep Tilt	92mm	72mm
SLDL15#T	D-LIGHTZ Offset Deep Tilt	105mm	77mm

Code	E-LIGHTZ Product	Cut-out	Minimum Cavity Depth
SL35	E-LIGHTZ Mini	83-92mm	58mm
SL40	E-LIGHTZ	105-120mm	42mm

Code	ZELA Product	Cut-out	Minimum Cavity Depth
SLDL21#F	ZELA Fixed	52-57mm	100mm
SLDL21#T	ZELA Tilt	73mm	67mm
SLDL22#F	ZELA Deep Fixed	73mm	67mm
SLDL22#T	ZELA Deep Tilt	89mm	76mm
SLDL25#T	ZELA Offset Deep Tilt	100mm	80mm
SLDF24#F	ZELA Fire Rated Fixed	57mm	190mm [†]
SLDF24#T	ZELA Fire Rated Tilt	73mm	190mm [†]
SLDF27#F	ZELA Fire Rated Deep Fixed	73mm	190mm [†]
SLDF28#F	ZELA décor Fixed 1	57mm	70mm

Please note: do not exceed the stated cut-out size.

[†]Fire Rated downlights must **not** be installed into a cavity of less than 190mm as tested to AS 1530.4:2014