

# E-LIGHTZ Mini



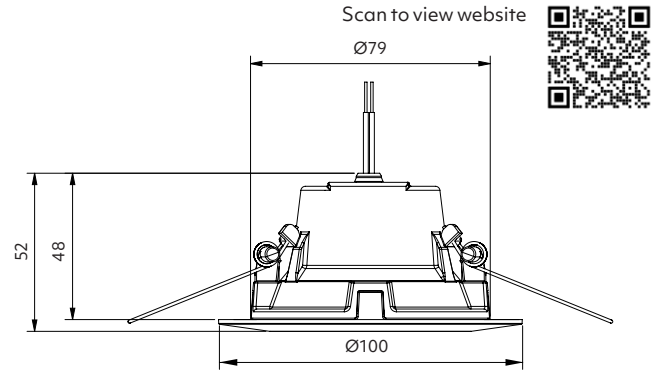
Private residence Whangaparaoa



**SL35 | SL35LP | SL35SD**  
Opaque diffuser  
Beam 100°  
Wide angle lighting

# E-LIGHTZ Mini

- + trim matches D-LIGHTZ Tilt and Fixed
- + low power option
- + suitable for indoor and exterior soffits
- + IP65 front
- + constant current



## Options

### Beam angle



100°

### Diffuser

Opaque

### Trim colour



White



Black



Silver

### CCT



2700K



3000K



4000K



Sunset Dimming  
3000-2000K

### CRI

Professional series (P) CRI 90

### Driver included – to be specified

Phase cut Dimming

**Special request:**

DALI 2 Dimming

SLiC Casambi Dimming

### Use with

E-LIGHTZ adapter plates for retrofit installations

9-36VDC input options available  
Scan the QR code for low voltage driver options



## Product information

**Table is based on: 3000K, CRI 90**

Contact Switch Lighting for data of other variants

Driver (mA)	Power (W)	Delivered lumens (lm)	Insulation coverable		
			NZ	AU	UK/EU
150	6.8	550	IC-F	IC-4	✓
220	9.2	780	IC-F	IC-4	✓



Size  
100x48mm



Cut-out  
Ø83-92mm



Hole depth  
>50mm\*\*



Front

\*\*Specification is for ceiling material ≤ 13mm.

## How to specify E-LIGHTZ Mini

Please confirm model option availability from our website. **Not every combination is compatible.**

e.g. code = **SL35-30-P-W**

Model	CCT	Version	CRI	Trim Colour	Market
<b>SL35</b>	27 = 2700K 30 = 3000K 40 = 4000K SD = Sunset Dimming*	■ = Standard power LP = Low power	P = 90	W = White B = Black S = Silver	■ = NZ 1 = Aust 2 = UK 3 = EU

\*Check online for driver options.

Please see [www.switch-lighting.co.nz](http://www.switch-lighting.co.nz) for full specifications, lux levels, SDoCs, ies files and installation instructions.



**Warranty**  
7yr Luminaire  
5yr Driver

 L70 (60,000 h)

