

E-LIGHTZ Mini



Private residence Whangaparaoa



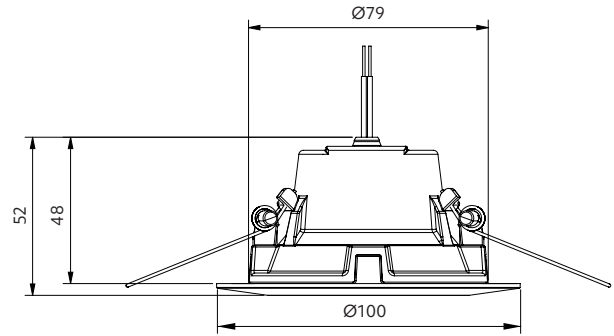
SL35 | SL35LP | SL35SD

Opaque diffuser
Beam 100°

Wide angle lighting

E-LIGHTZ Mini

- + trim matches D-LIGHTZ Tilt and Fixed
- + low power option
- + suitable for indoor and exterior soffits
- + IP65 front
- + constant current



Options

Beam angle



100°

Diffuser

Opaque

Trim colour



White



Black



Silver

CCT



2700K



3000K



4000K



Sunset Dimming
3000-2000K

CRI

Professional series (P) CRI 90

Driver included – to be specified

Phase cut Dimming

Special request:

DALI 2 Dimming

SLiC Casambi Dimming

Use with

E-LIGHTZ adapter plates for retrofit installations

9-36VDC input options available

Click the QR code for low voltage driver options



Product information

Example: 3000K, CRI 90

Contact Switch Lighting for data of other variants

| Driver (mA) | Power (W) | Delivered lumens (lm) | Insulation coverable | | |
|-------------|-----------|-----------------------|----------------------|------|-------|
| | | | NZ | AU | UK/EU |
| 150 | 6.8 | 550 | IC-F | IC-4 | ✓ |
| 220 | 9.2 | 780 | IC-F | IC-4 | ✓ |



Size
100x48mm



Cut-out
Ø83-92mm



Hole depth
>50mm**



Front

**Specification is for ceiling material ≤ 13mm.

how to specify E-LIGHTZ Mini

Please confirm model option availability from our website. **Not every combination is compatible.**

e.g. code = **SL35-30-P-W**

| Model | CCT | Version | CRI | Trim Colour | Market |
|-------|--|--------------------------------------|--------|--------------------------------------|--|
| SL35 | 27 = 2700K 30 = 3000K 40 = 4000K SD = Sunset Dimming* | ■ = Standard power LP = Low power | P = 90 | W = White B = Black S = Silver | ■ = NZ 1 = Aust 2 = UK 3 = EU |

*Check online for driver options.

Please see www.switch-lighting.co.nz for full specifications, lux levels, SDoCs, ies files and installation instructions.



Warranty
7yr Luminaire
5yr Driver

L70 (60,000 h)

