

# D-LIGHTZ Fixed



**SL112LG**  
ULG clear glass  
Beam 20° 40° 60°  
Task | General lighting



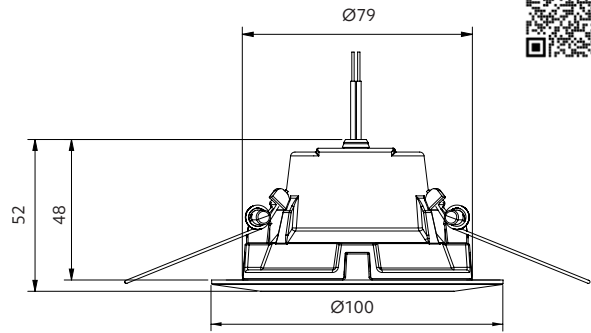
**SL111LG**  
Prismatic diffuser  
Beam 20° 40° 60°  
General | Task lighting

Scan to view website



# D-LIGHTZ Fixed

- + compact size
- + recessed for low glare
- + suitable for indoor use and exterior under soffits
- + IP65 front
- + perfect for retrofit to replace 50W halogen
- + constant current



## Options

### Beam angle



ULG clear glass  
Prismatic

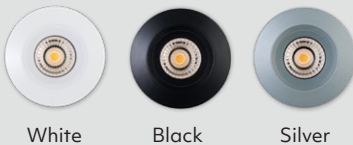
### CCT



### CRI

Professional series (P) CRI 90      Art series (A) CRI 97

### Trim colour



### Driver included – to be specified

Phase cut Dimming  
**Special request:**  
DALI 2 Dimming  
SLiC Casambi Dimming

### Use with

D-LIGHTZ adapter plates for retrofit installations

9-36VDC input options available  
Scan the QR code for low voltage driver options



## Product information

**Table is based on:** White, prismatic, 40°, 3000K, CRI 90, phase cut driver  
Contact Switch Lighting for data of other variants

| Driver (mA) | Power (W) | Delivered lumens (lm) | Insulation coverable |      |       |
|-------------|-----------|-----------------------|----------------------|------|-------|
|             |           |                       | NZ                   | AU   | UK/EU |
| 150         | 6.8       | 550                   | IC-F                 | IC-4 | ✓     |
| 220         | 9.2       | 800                   | IC-F                 | IC-4 | ✓     |
| 300         | 13.2      | 1000                  | CA135                | IC-4 | ✓     |



\*Specification is for ceiling material ≤ 13mm with a phase cut driver.

## How to specify D-LIGHTZ Fixed

Please confirm model option availability from our website. **Not every combination is compatible.**

e.g. code = **SL111LG-40-30-P-W**

| Model   | Beam                                    | CCT  | CRI                     | Trim Colour                                 | Driver – Phase cut*   | Market  |
|---|---|--|-------------------------|---|---|---|
| SL112LG = ULG clear glass<br><b>SL111LG</b> = Prismatic | 20 = 20°<br><b>40</b> = 40°<br>60 = 60° | 27 = 2700K<br><b>30</b> = 3000K<br>40 = 4000K<br>SD = Sunset Dimming | <b>P</b> = 90<br>A = 97 | <b>W</b> = White<br>B = Black<br>S = Silver | D09 = 150mA (6.8W)<br><b>30</b> = 220mA (9.2W)<br>D12 = 300mA (13.2W)<br><br><b>*Check online for driver options.</b> | <b>1</b> = NZ<br>1 = Aust<br>2 = UK<br>3 = EU |

Please see [www.switch-lighting.co.nz](http://www.switch-lighting.co.nz) for full specifications, lux levels, SDoCs, ies files and installation instructions.



**Warranty**  
7yr Luminaire  
5yr Driver

L70 (60,000 h)

