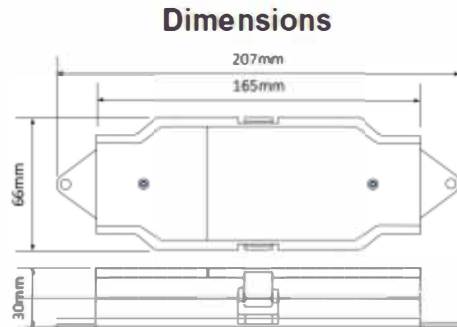



CBU-BOX-TED

CBU-BOX Complete with TED Trailing Edge Dimmer module and 3 pin power coupler

Input Supply Voltage 85-240 VAC, 50-60 Hz





Warning!
Hazardous voltages. Risk of electric shock or fire. Only qualified professionals should make the connections. Disconnect the mains power supply and verify its absence prior to installation.

Disposal Instructions

In line with EU Directive 2002/96/EC for waste electrical and electronic equipment (WEEE), this electrical product must not be disposed of as unsorted municipal waste.

Please dispose of this product by returning it to the point of sale or to your local municipal collection point for recycling.

Description

CBU-TED is a Bluetooth controllable, Casambi enabled trailingedge dimmer for incandescent lamps, dimmable LED lamps and dimmable LED control gear. It can be installed behind a traditional wall switch, inside a luminaire or into a ceiling outlet box. Maximum allowable ambient temperature must be observed.

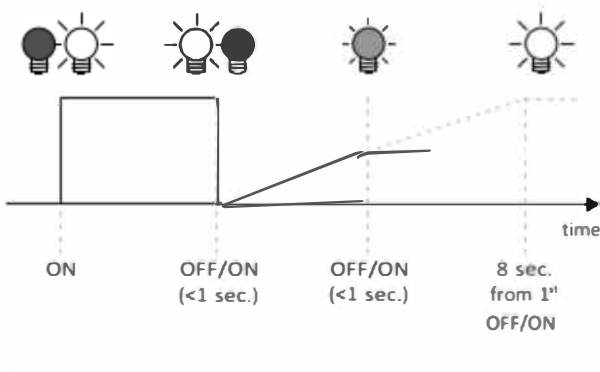
CBU-TED is able to control up to 100 W at 230 VAC. It features an overcurrent and over temperature protection.

CBU-TED can be controlled with Casambi app, available for iOS and Android devices, as well as with traditional wall

switches. The Casambi app can be downloaded free of charge from Apple App Store and Google Play Store.

Different Casambi enabled products can be used from a simple one luminaire direct control to a complete and full featured light control system where up to 250 units form automatically an intelligent mesh network.

Dimming without app



1. Turn lights on from a wall switch.
2. Quickly flick the wall switch off (max. 1 sec.) and back on. The light level starts to increase gradually.
3. Flick the switch again at desired dim level. The selected level is saved automatically.
4. If the second flick is not done within 8 sec. the light intensity reaches its maximum level.
5. Flicking the switch can also be used to switch between predefined scenes.

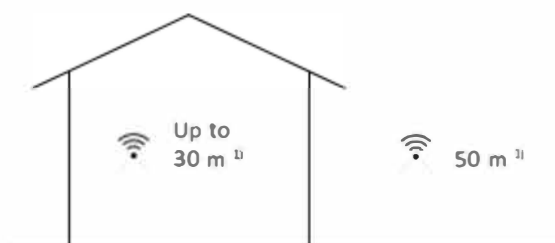
Warning

Using CBU-TED with maximum load will make it hot. Make sure to place the product in well-ventilated space and away from any flammable material.

Range

Compatible devices:

iPhone iOS 10 and later are supported
 iPad iOS 10 and later are supported
 Android 4.4 version (KitKat) and later are supported



Casambi uses mesh network technology so each Casambi unit, or Casambi Ready product, acts also as a repeater. Longer ranges can be achieved by using multiple Casambi products.

1) Range is highly dependant on the surrounding and obstacles, such as walls and building materials.

Technical data

Input

Voltage: 85–240 VAC
 Frequency: 50–60 Hz
 Max. mains current: 0,43 A
 No-load standby power: < 0,3 W

Output

Dimming method: trailing-edge phase control
 Max. output power: 100 W @ 230 VAC
 Max. output current: 0,43 A
 Min. load requirement: 1 W
 Max. inrush current: 10 A, 100 ms

Radio transceiver

Operating frequencies: 2400...2480 MHz +4
 Maximum output power: dBm

Operating conditions

Ambient temperature, ta: -20 to +45°C
 Max. case temperature, tc: +75°C
 Location of tc point: bottom side, underneath output connector
 Storage temperature: -25...+75°C
 Max. relative humidity: 0...80%, non-condensing

Connectors

A male 3 pin general power coupler is provided for 230V input

Wire range, solid: 0,5–1,5 mm²
 16–20 AWG
 Wire strip length: 6–8 mm

Mechanical data

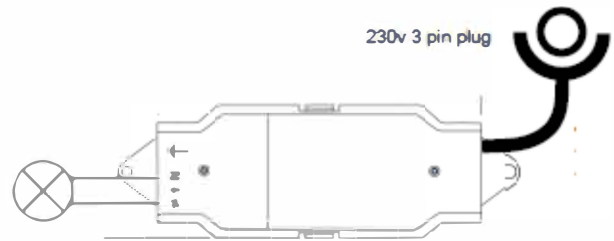
Dimensions: 207mm x 66mm x 30mm
 Weight: 0.15 kg
 Degree of protection: IP20 (indoor use only)

Warning

Changes or modifications not expressly approved by Casambi Technologies Oy could void the user's authority to operate the equipment.

Type of load	Max. load
Incandescent and high voltage halogens	100 W
Dimmable LED bulbs (C) ¹⁾	100 W
Dimmable CFL bulbs (C) ¹⁾	100 W
Trailing edge dimmable LED drivers ¹⁾	100 W
Low voltage halogens with electronic transformers	100 W
High voltage AC LED modules ¹⁾	100 W
Wire wound transformers, electric motors and other inductive loads	Not allowed
Non-dimmable fluorescent lamps, LED and CFL bulbs	Not allowed

Wiring diagram



¹⁾ Dimming quality depends solely on the load electronics. Do not mix different types of bulbs or loads. Some luminaires may flicker at low dimming

Fixture profile

Profile #	Profile	Description
526*	TED	One channel 50/60Hz trailing edge phase cut dimmer
11766	TED (Linear)	One channel 50/60Hz trailing edge phase cut dimmer
8123	TED (Log)	One channel 50/60Hz trailing edge phase cut dimmer
3534	Presence	Fixture providing presence and/or daylight sensing. Presence can be activated from smart switch, push button or dedicated presence sensor.

*Default profile