



Product description

OS/5.8/C is a UK designed and built microwave presence detector with built-in Casambi wireless node capable of remote intelligent ON/OFF switching control via the Casambi ecosystem.

Their Radar Doppler technology operates at 5.8Ghz and achieves a detection range of 6m in typical office environments.

Presence detection status and ambient light sensor output can be configured from within the Casambi App to control other Casambi-enabled equipment without need for complex wiring.

The compact, low-profile enclosure is ideal for fixing within a luminaire, so provides simple, reliable cost-effective means of instantly reducing lighting energy bills.

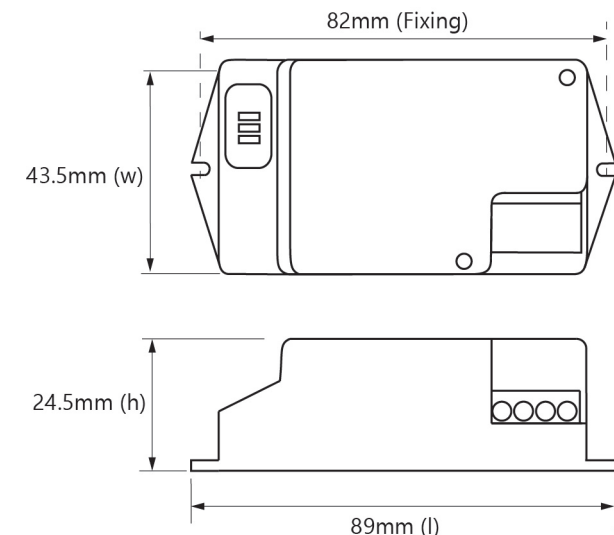
Properties

- > Detects movement and presence through glass and plastic diffusers
- > Built-in Casambi CBM-002A Bluetooth 4.0 device
- > Integral Light sensor configurable within the Casambi App
- > User-configurable settings for Sensitivity
- > Casambi controlled built-in power relay for local switched live out
- > Easy retrofit option for existing luminaires
- > Ultra-low power, around 1/10th of that emitted by mobile phones
- > Intelligent 'Zero-crossing mains detection' improves load switching capability for long life 50,000hrs+ operation
- > For mounting heights of 2m to 6m in internal applications*
- > Compatible for multi-sensor operation of a single luminaire
- > Push-wire terminals for solid conductors up to 1.5mm²
- > Common neutral provided for easy input/output wiring
- > Complies with ETSI EN300 440, EN60669-1 & EN60669 Part 2_1

* Microwave sensors may not be suitable for certain outdoor applications

Common Technical Data	
Input Supply Voltage	230V +/- 10%
Supply Frequency	50/60 Hz
Standby/ Operating Power	1.2W/ 1.7W
Maximum switching current/	0.5A
Detection Area (Typical)	4 - 6m Radius at 2.5m Ceiling Height)
Operating Temperature	0° to 50°C
Detector Operating Frequency	5.8GHz
Casambi Operating Frequency	2.4GHz
Sensitivity Settings	100, 75, 50, 25, 10%
On-time Settings	Casambi App Configured
Light Sensor Threshold settings	Casambi App Configured
IP Rating	IP20
Weight	50g

Model Number	Standard Pack Quantities	Weight
OS/5.8/C	100	5.5kg



[Download 3D model](#)



Product specifications may be subject to change without prior notice.

Draft Issue-C Oct 2022





TECHNICAL INFORMATION - FEATURES

Movement Sensor

The OS/5.8/C is designed for installation at a height of 1-6m in with a suggested mounting height of 1-1.8m (wall mounting) and 2.5-6m (ceiling mounting). The sensitivity of detection can be reduced from 100% down to 10% with the user selectable DIP switches. Typical detection patterns are illustrated below, but please note many factors can affect the level of detection, such as speed of walking, amount of arm movement etc. Microwaves cannot pass through metal or brick walls thicker than 20cm. They will pass through thinner walls but there will be some attenuation.

Installation inside a glass or plastic housing will result in a reduction of sensitivity. Expect a reduction of approximately 20% for every 3mm of thickness.

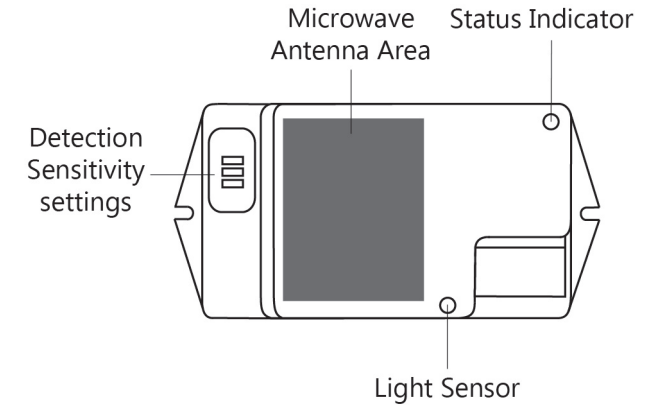
Light Sensor

An integral light sensor is located near the supply terminal block and can transmit information to the Casambi App where the level can be calibrated for use in the lighting scheme as required.

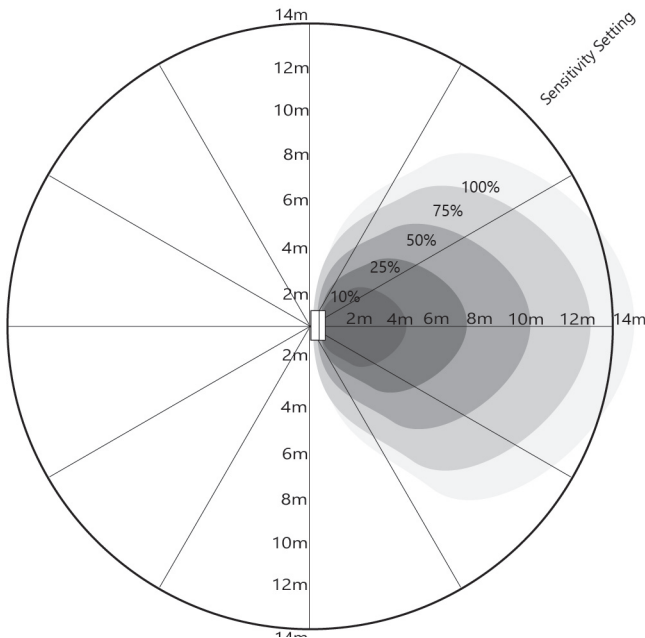
The sensor should be positioned so facing the ambient light to be measured and to avoid detecting light from the luminaire's own light source.

Status Indicator

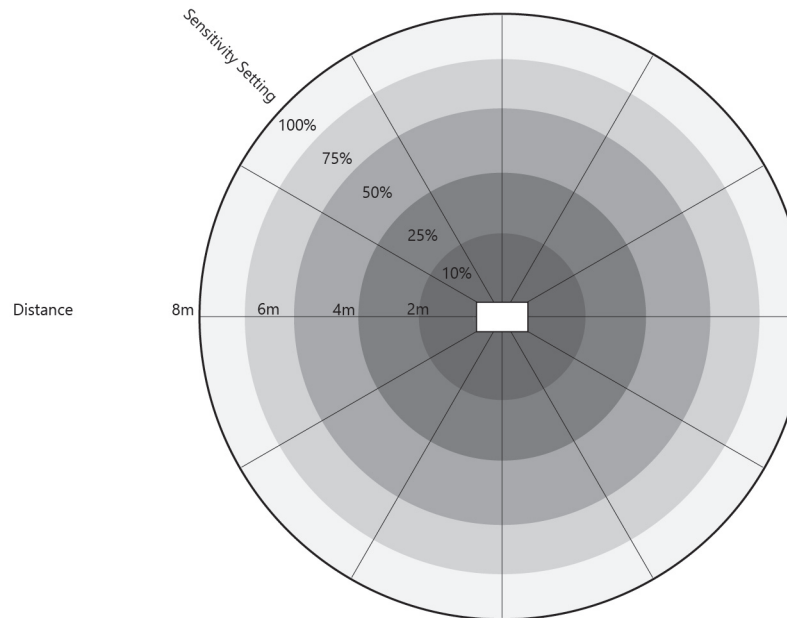
An LED status indicator illuminates red for power on/ detecting and green when movement is detected.



Wall Mounted



Ceiling Mounted



Sensitivity Settings

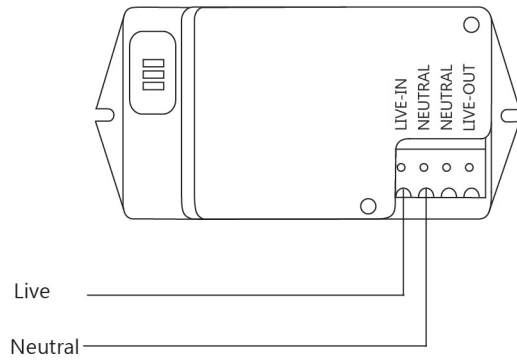
SENSITIVITY			
1	2	3	SETTING
●	●	●	100%
○	●	●	75%
●	○	●	50%
●	●	○	25%
○	○	○	10%

ON ↑ OFF ↓



INSTALLATION & OPERATION - WIRING & CONNECTION DETAILS

Stand-alone



With Typical LED Driver

